



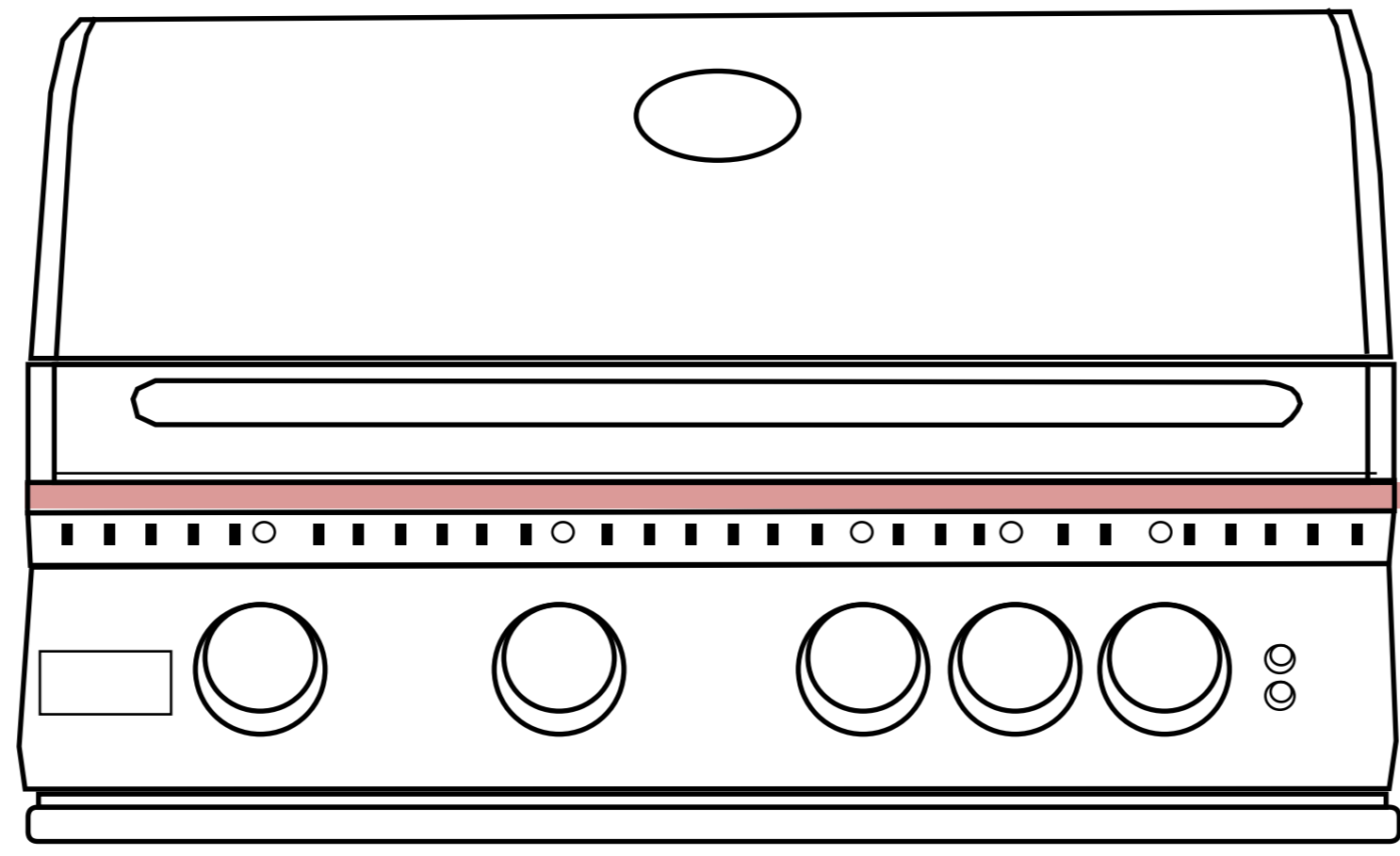
**SUMMERSET**  
PROFESSIONAL GRILLS

**32" - Sizzler Pro**

<b>Model</b>	SIZPRO32
<b>Cutout Dimensions**</b>	30.625"W x 8.5"H x 20.75"D
<b>Actual Dimensions</b>	32.441"W x 20"H x 25.5"D
<b>Material</b>	#443 Stainless Steel
<b>Burner Count</b>	4 Main Burner
<b>Total BTU</b>	63,000 BTU
<b>Total Cooking Surface</b>	925 sq. in.
<b>Electical Supply</b>	120 VAC, 60 HZ - Input 12 VAC, 5000 mA, 60W - Output
<b>Gas Inlet NG</b>	3/8" NPT Female Regulator
<b>Gas Inlet LP</b>	3/8" NPT Male Fitting
<b>Power Cord Length</b>	13 ft. : 77" Power Cord + 80" Trans Wire

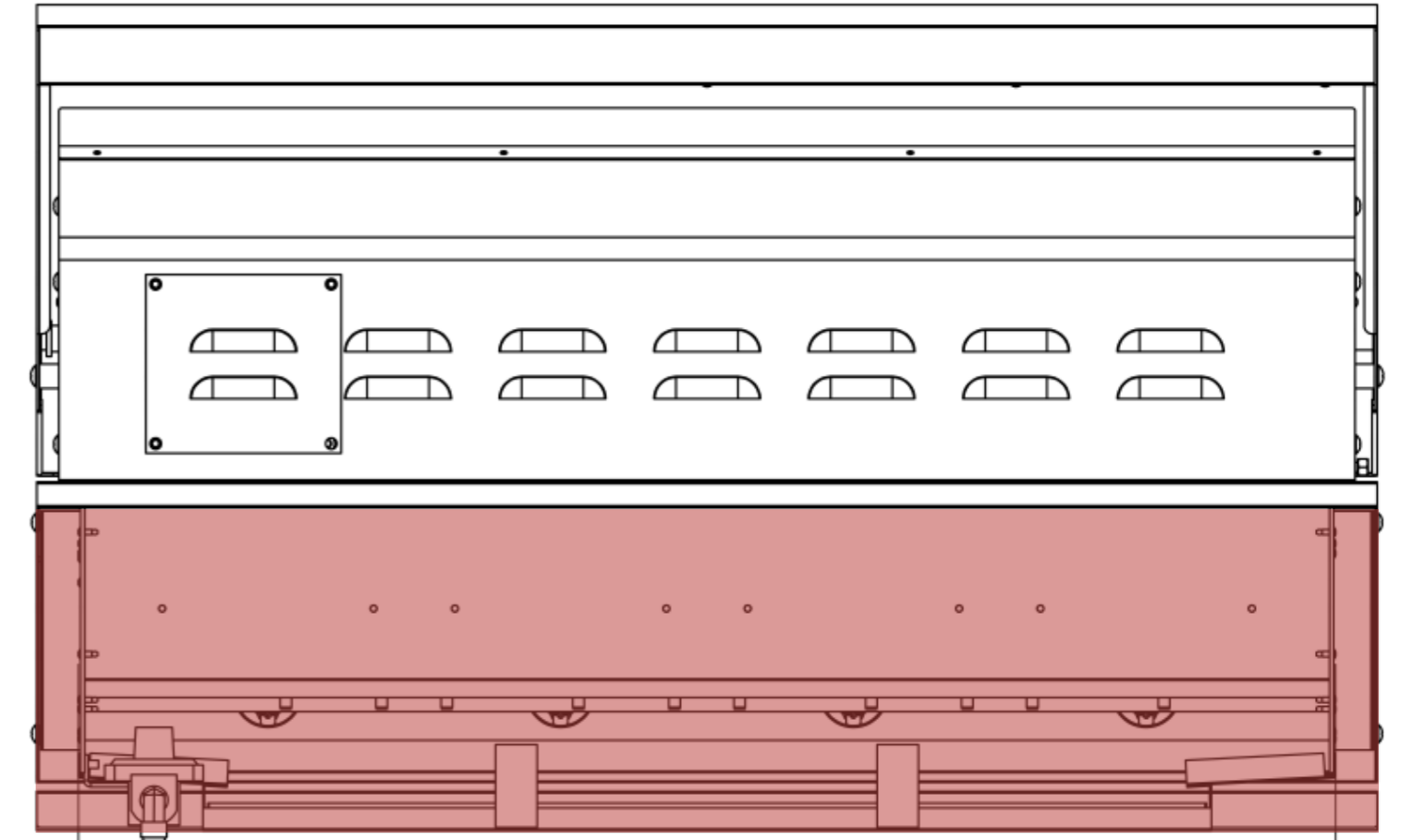
**NOTES**

**Front**



32.441"

**Rear**

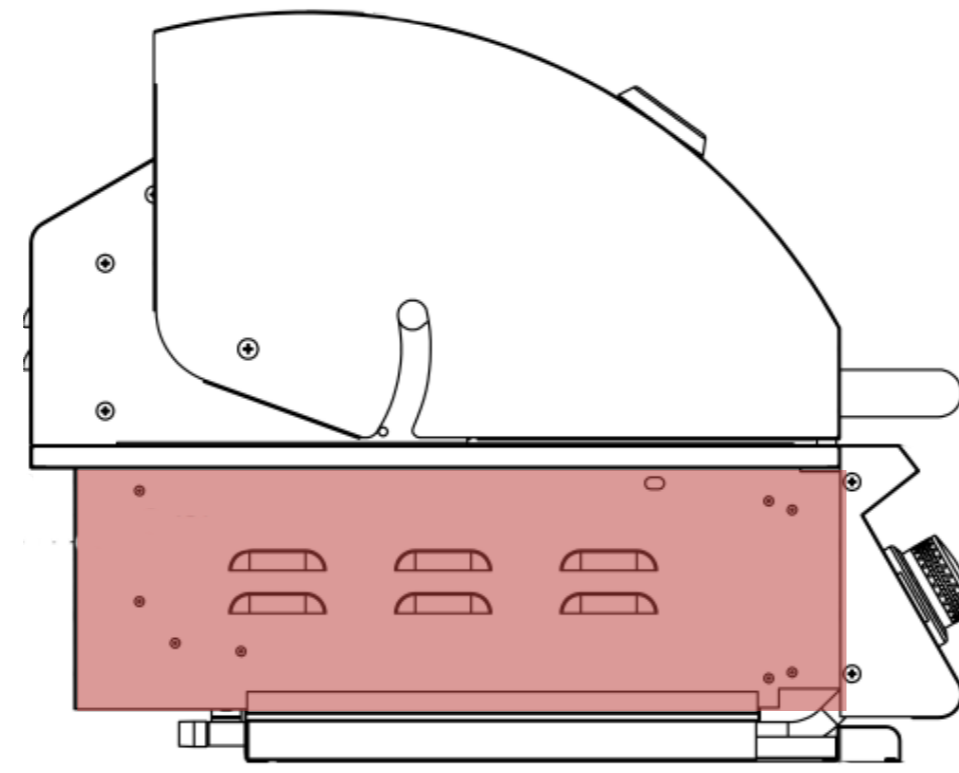


30.433"

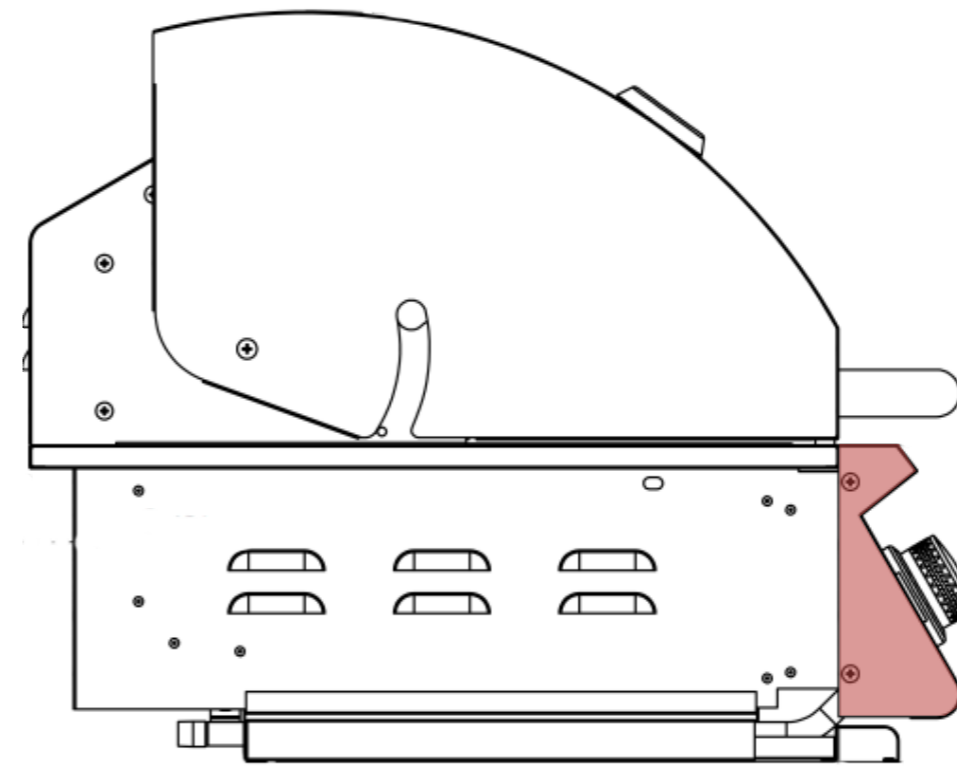
20"

6.5"

**Side**

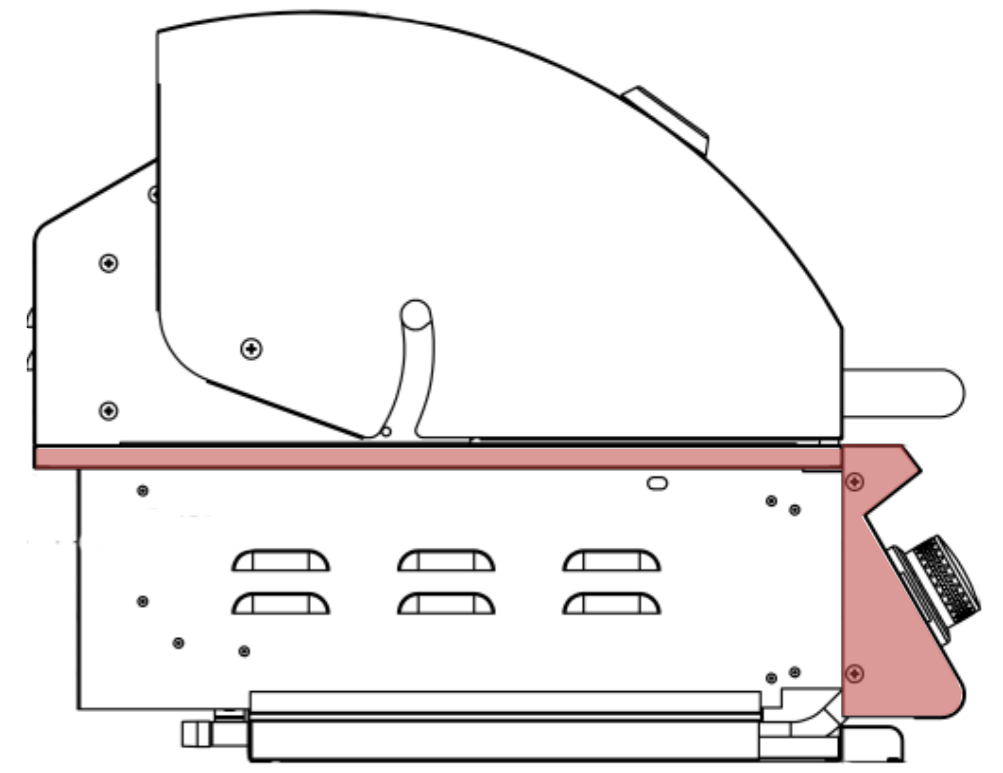


20.482"

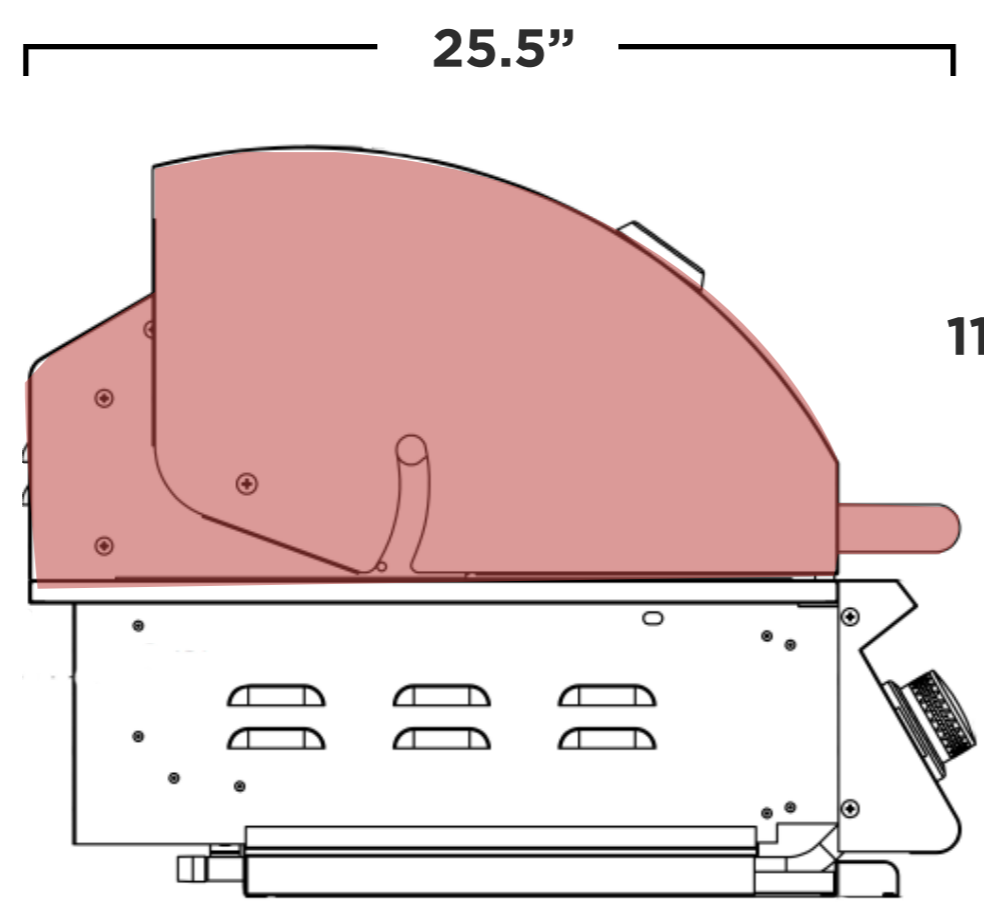


7.78"

4.5"

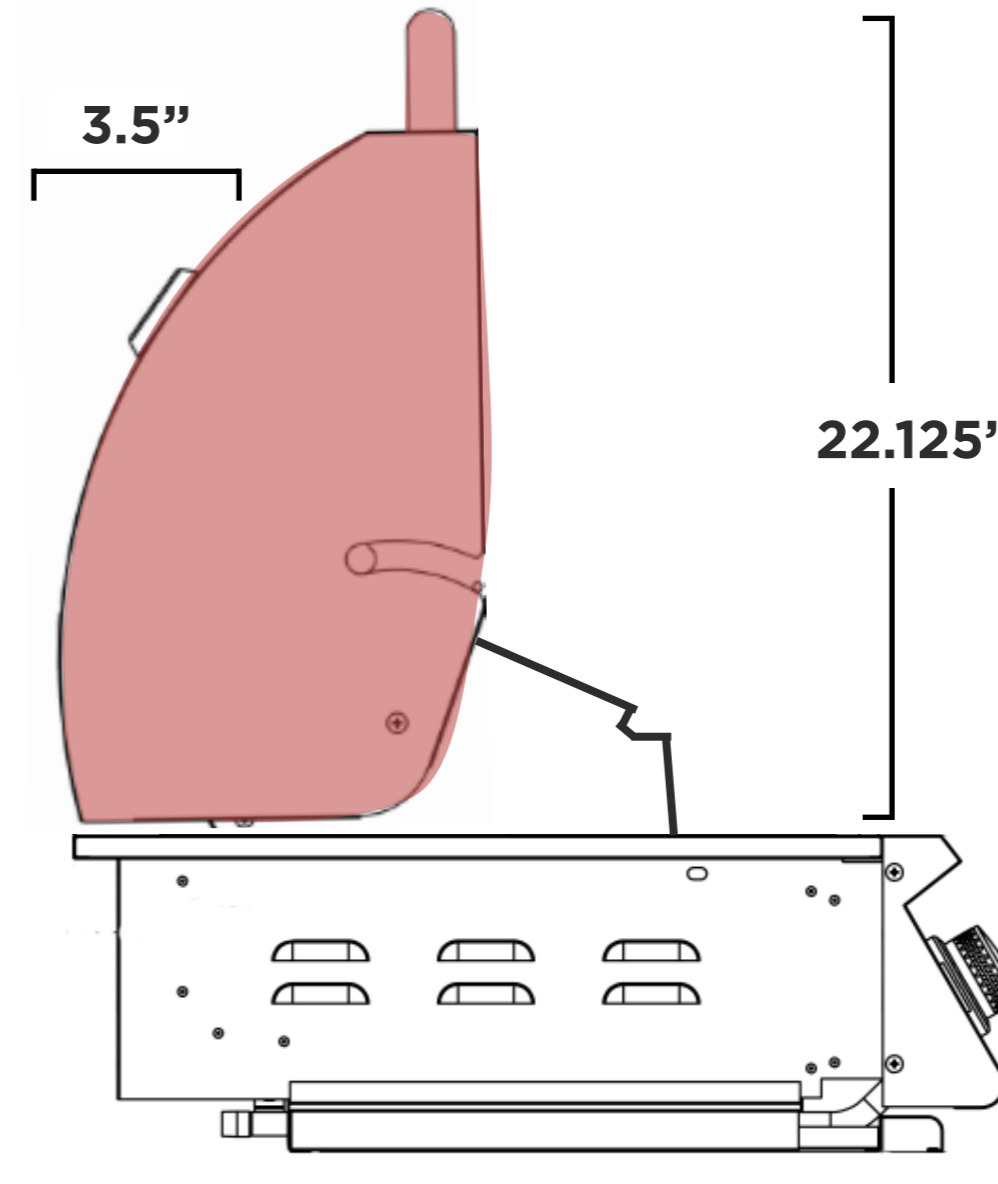


25.5"



25.5"

11.555"



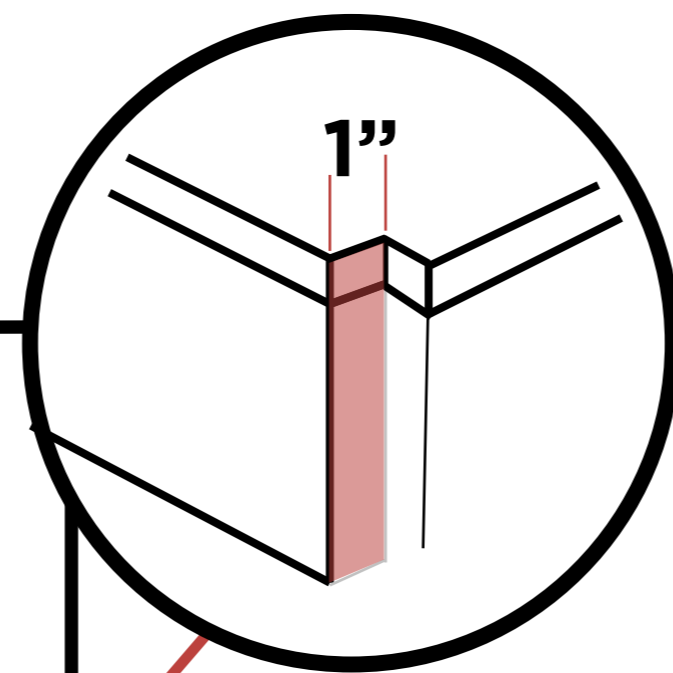
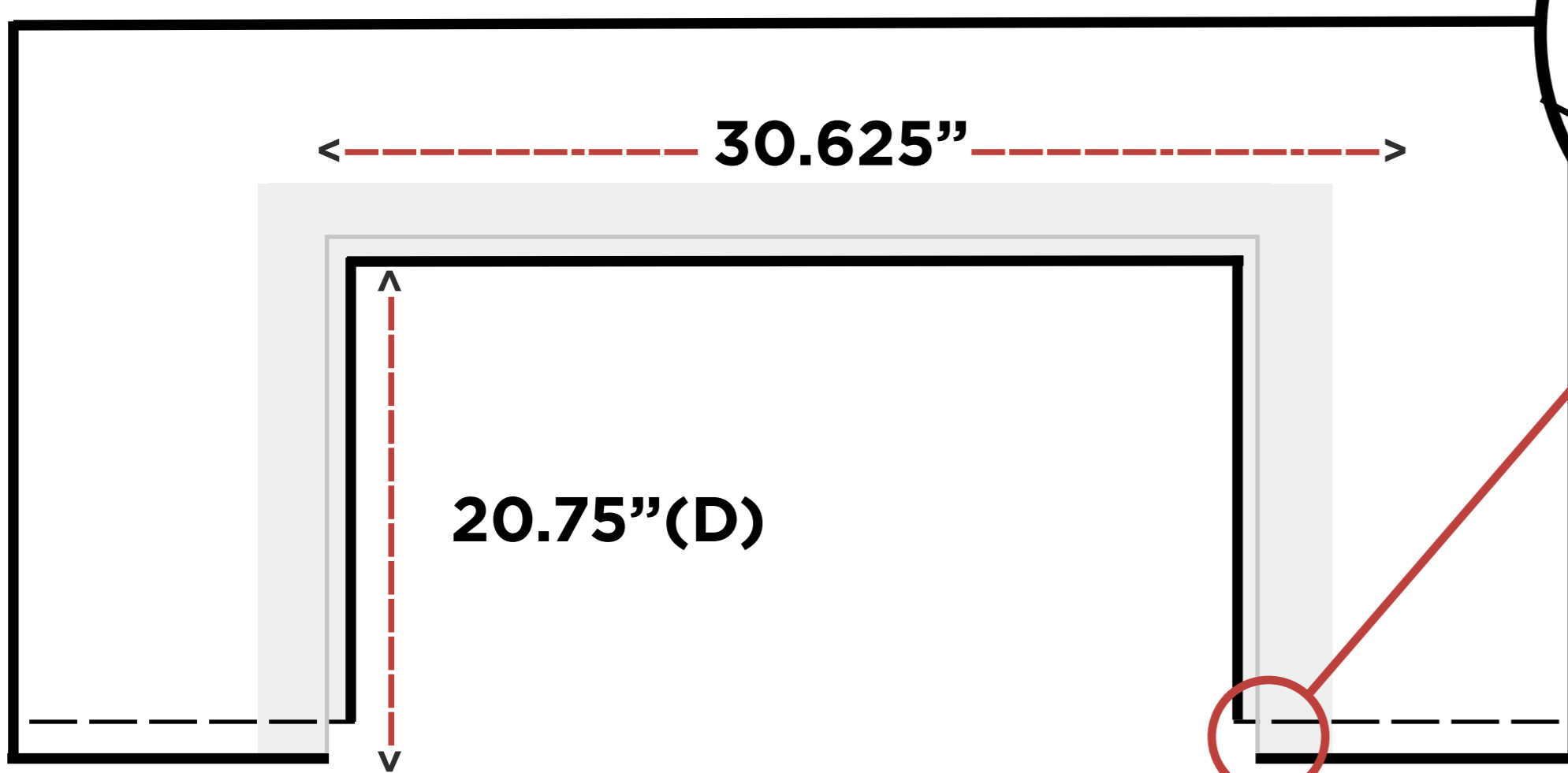
3.5"

22.125"

28.835"

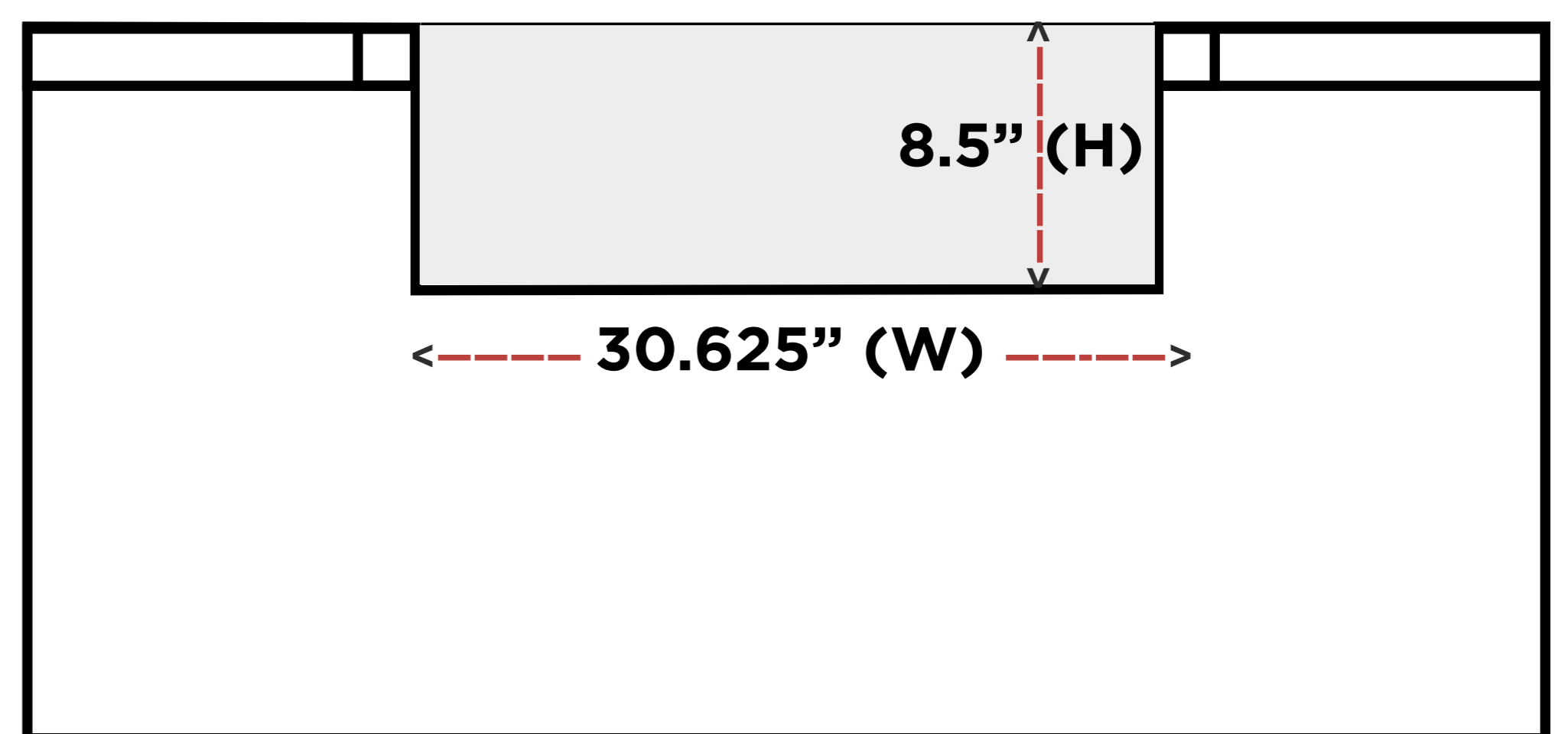
**Cutout Dimensions \*\***  
30.625"W x 8.5"H x 20.75"D

**Island Top View**



Countertop Notch  
Cutout Dimension

**Island Front View**



**Manufacturer Suggested Cutout Dimensions (\*\*)**